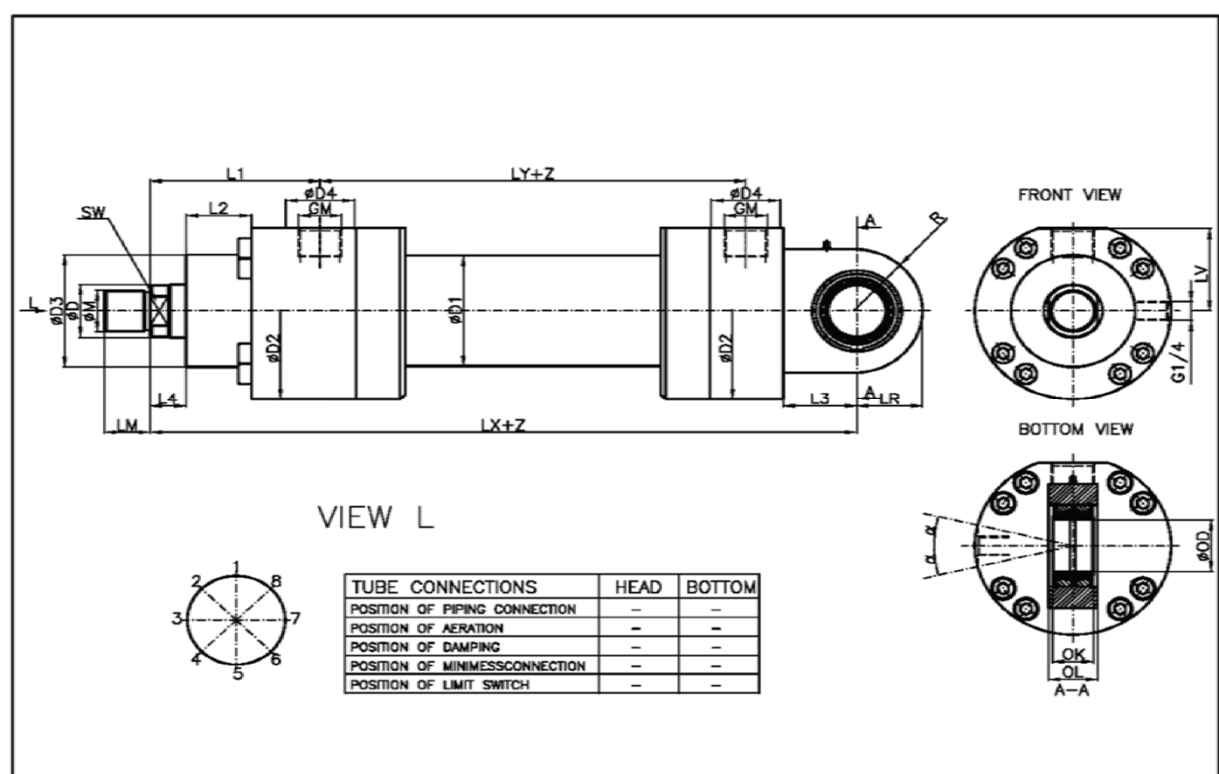


AVA01/GAES



ØD	Ød	LX	LY	M	LM	M	LM	SW	ØD1	ØD2	ØD3 f8	ØD4 max. 0.5mm deep	GM	GM
40	22/28	252	120	M16x1.5	16	M18x2	30	17/22	40	88	51	34	G1/2	M22x1.5
50	28/36	265	120	M22x1.5	22	M24x2	35	22/30	65	102	64	34	G1/2	M22x1.5
63	36/45	302	133	M28x1.5	28	M30x2	45	30/36	75	120	76	42	G3/4	M27x2
80	45/56	330	146	M35x1.5	35	M39x2	55	36/46	95	140	92	42	G3/4	M27x2
100	56/70	385	171	M45x1.5	45	M50x3	75	46/60	115	170	119	47	G1	M33x2
125	70/90	447	205	M58x1.5	58	M64x3	95	60/75	145	206	134	58	G1 1/4	M42x2
140	90/100	490	219	M65x1.5	65	M80x3	110	75/85	170	226	156	58	G1 1/4	M42x2
160	100/110	550	240	M80x2	80	M90x3	120	85/95	185	265	180	65	G1 1/2	M48x2
180	110/125	610	264	M100x2	100	M100x3	140	95/110	210	292	185	65	G1 1/2	M48x2
200	125/140	645	278	M110x2	110	M110x4	150	110/120	235	310	228	65	G1 1/2	M48x2
ØD	Ød	L1	L2	L3	L4	R	LR	LV	ØOD	OL -0.4	OK	α		
40	22/28	70	35	32.5	14	31	28	41	25 _{-0.010}	23	20 _{-0.12}	7°		
50	28/36	99	35	37.5	18	36	32.5	48.5	30 _{-0.010}	28	22 _{-0.12}	6°		
63	36/45	104	40	45	22	42	40	56.5	35 _{-0.012}	30	25 _{-0.12}	6°		
80	45/56	121	40	50	20	52	50	67	40 _{-0.012}	35	28 _{-0.12}	7°		
100	56/70	125	50	60	30	65	62.5	82	50 _{-0.012}	40	35 _{-0.12}	6°		
125	70/90	154	55	70	32	52	70	99	60 _{-0.015}	50	44 _{-0.15}	6°		
140	90/100	157	55	75	35	65	82	109.5	70 _{-0.015}	55	49 _{-0.15}	6°		
160	100/110	204	65	85	40	70	95	129	80 _{-0.015}	60	55 _{-0.15}	6°		
180	110/125	195	75	90	40	82	113	142.5	90 _{-0.02}	65	60 _{-0.2}	5°		
200	125/140	195	80	115	40	95	125	152	100 _{-0.02}	70	70 _{-0.2}	7°		