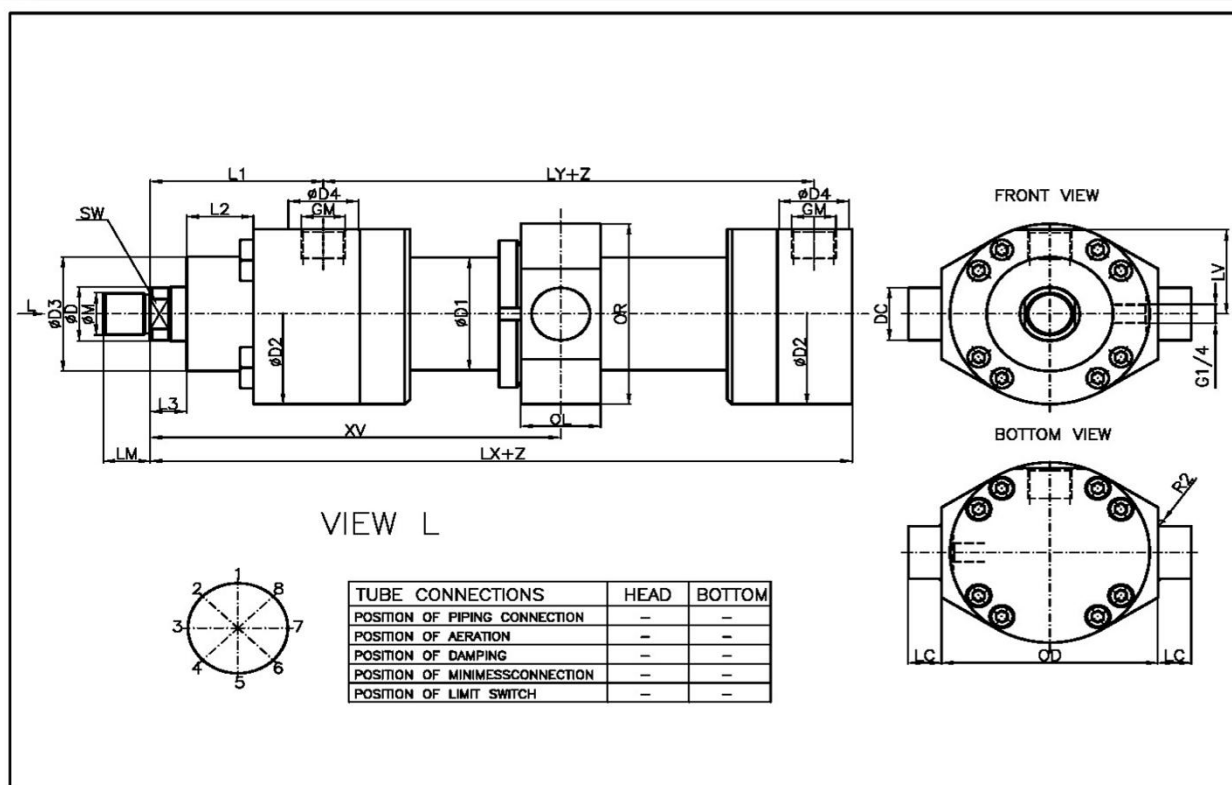


AVA01/TR



ØD	Ød	LX	LY	M	LM	M	LM	SW	ØD1	ØD2	ØD3 f8	ØD4max. 0.5mm deep	GM	GM
40	22/28	226	120	M16x1.5	16	M18x2	30	17/22	50	88	51	34	G1/2	M22x1.5
50	28/36	233	120	M22x1.5	22	M24x2	35	22/30	65	102	64	34	G1/2	M22x1.5
63	36/45	262	133	M28x1.5	28	M30x2	45	30/36	75	120	76	42	G3/4	M27x2
80	45/56	280	146	M35x1.5	35	M39x2	55	36/46	95	140	92	42	G3/4	M27x2
100	56/70	330	171	M45x1.5	45	M50x3	75	46/60	115	170	119	47	G1	M33x2
125	70/90	382	205	M58x1.5	58	M64x3	95	60/75	145	206	134	58	G1 1/4	M42x2
140	90/100	420	219	M65x1.5	65	M80x3	110	75/85	170	226	156	58	G1 1/4	M42x2
160	100/110	475	240	M80x2	80	M90x3	120	85/95	185	265	180	65	G1 1/2	M48x2
180	110/125	515	264	M100x2	100	M100x3	140	95/110	210	292	185	65	G1 1/2	M48x2
200	125/140	535	278	M110x2	110	M110x4	150	110/120	235	310	228	65	G1 1/2	M48x2
ØD	Ød	XV cent	XV min	Xv max	LV	L1	L2	L3	OR	OL	ØDC e8	LC js16	OD h13	R
40	22/28	140+Z/2	150	135+Z	41	70	35	14	88	38	30	20	95	1.2
50	28/36	148+Z/2	160	140+Z	48.5	99	35	18	102	38	30	20	115	1.2
63	36/45	167+Z/2	190	155+Z	56.5	104	40	22	120	48	35	20	130	2
80	45/56	178+Z/2	200	160+Z	67	121	40	20	140	35	40	25	145	2
100	56/70	210+Z/2	250	185+Z	82	125	50	30	170	45	50	30	175	2
125	70/90	238+Z/2	280	205+Z	99	154	55	32	206	50	60	40	210	2.5
140	90/100	266+Z/2	325	220+Z	109.5	157	55	35	226	50	65	42.5	230	2.5
160	100/110	306+Z/2	375	255+Z	129	204	65	40	265	60	75	52.5	275	2.5
180	110/125	332+Z/2	410	270+Z	142.5	195	75	40	292	70	85	55	300	2.5
200	125/140	345+Z/2	440	265+Z	152	195	80	40	310	75	90	55	320	2.5